

LMP8277

High Common Mode, Gain of 14, Precision Voltage Difference Amplifier

General Description

The LMP8277 is a fixed gain differential amplifier with a -2V to 16V input common mode voltage range and a supply voltage range of 4.75V to 5.5V. The LMP8277 is part of the LMP® precision amplifier family which will detect, amplify and filter small differential signals in the presence of high common mode voltages. The gain is fixed at 14 and is adequate to drive an ADC to full scale in most cases. This fixed gain is achieved in two separate stages, a preamplifier with gain of +7 and a second stage amplifier with a gain of +2. The internal signal path between these two stages is brought out on two pins that provide a connection for a filter network.

The LMP8277 will function over an extended common mode input voltage range making the device suitable for applications with load dump events such as automotive systems.

Features

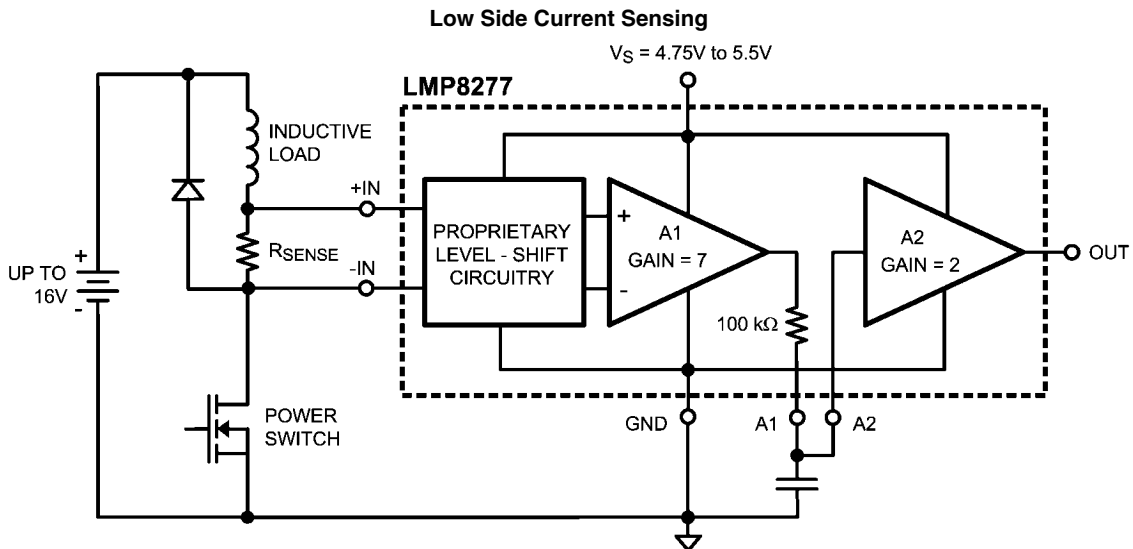
Typical Values, $T_A = 25^\circ\text{C}$

- Input offset voltage ±2 mV max
- TCVoS ±30 $\mu\text{V}/^\circ\text{C}$ max
- CMRR 80 dB min
- Output voltage swing Rail-to-rail
- Bandwidth 80 kHz
- Operating temperature range (ambient) -40°C to 125°C
- Supply voltage 4.75V to 5.5V
- Supply current 1 mA

Applications

- Fuel injection control
- High and low side driver configuration current sensing
- Power management systems

Typical Application



Absolute Maximum Ratings (Note 1)

If Military/Aerospace specified devices are required, please contact the National Semiconductor Sales Office/Distributors for availability and specifications.

ESD Tolerance (Note 2)

Human Body Model

For input pins only

±4000V

For All other pins

±2000V

Machine Model

200V

Supply Voltage ($V_S - \text{GND}$)

5.75V

Common Mode Voltage on +IN and -IN

Transient (400 ms)

-7V to 45V

Storage Temperature Range

-65°C to +150°C

Junction Temperature (Note 3)

+150°C max

Soldering Information

Infrared or Convection (20 sec)

235°C

Wave Soldering Lead Temp. (10 sec)

260°C

Operating Ratings (Note 1)

Temperature Range

Packaged Devices (Note 3)

-40°C to +125°C

Supply Voltage ($V_S - \text{GND}$)

4.75V to 5.5V

Package Thermal Resistance (θ_{JA} (Note 3))

8-Pin SOIC

190°C/W

8-Pin MSOP

235°C/W

5V Electrical Characteristics (Note 4)

Unless otherwise specified, all limits are guaranteed for $T_A = 25^\circ\text{C}$, $V_S = 5\text{V}$, $\text{GND} = 0$, $-2\text{V} \leq V_{\text{CM}} \leq 16\text{V}$, $R_L = \text{Open}$. **Boldface** limits apply at the temperature extremes.

Symbol	Parameter	Conditions		Min	Typ (Note 5)	Max	Units
V_{OS}	Input Offset Voltage	$V_{\text{CM}} = V_S/2$			±0.25	±2.0	mV
$\text{TC } V_{\text{OS}}$	Input Offset Voltage Drift	$V_{\text{CM}} = V_S/2$			±20	±30	$\mu\text{V}/^\circ\text{C}$
				$25^\circ\text{C} \leq T_A \leq 125^\circ\text{C}$			
					±20	±35	
$A_2 I_B$	Input Bias Current of A2	(Note 6)			-20		pA
						±20	nA
I_S	Supply Current				1.0	1.2 1.4	mA
R_{CM}	Input Impedance Common Mode			160	200	240	k Ω
R_{DM}	Input Impedance Differential Mode			320	400	480	k Ω
CMVR	Input Common-Mode Voltage Range			-2		+16	V
DC CMRR	DC Common Mode Rejection Ratio	$0^\circ\text{C} \leq T_A \leq 125^\circ\text{C}$	$-2\text{V} \leq V_{\text{CM}} \leq 16\text{V}$	80	97		dB
		$-40^\circ\text{C} \leq T_A \leq 0^\circ\text{C}$	$-2\text{V} \leq V_{\text{CM}} \leq 16\text{V}$	77			
AC CMRR	AC Common Mode Rejection Ratio (Note 7)	$-2\text{V} \leq V_{\text{CM}} \leq 16\text{V}$		$f = 1\text{ kHz}$	80	95	dB
				$f = 10\text{ kHz}$		78	
PSRR	Power Supply Rejection Ratio	$4.75\text{V} \leq V_S \leq 5.5\text{V}$		70	80		dB
$R_{\text{F-INT}}$	Filter Resistor			97	100	103	k Ω
$\text{TCR}_{\text{F-INT}}$	Filter Resistor Drift				20		ppm/ $^\circ\text{C}$
A_V	Total Gain			13.86	14	14.14	V/V
	Gain Drift				±2	±25	ppm/ $^\circ\text{C}$
A_{V1}	A1 Gain			6.93	7	7.07	V/V
A_{V2}	A2 Gain			1.98	2	2.02	V/V
$A_1 V_{\text{OUT}}$	A1 Output Voltage Swing			VOL	0.004	0.01	V
				VOH	4.80	4.95	
$A_2 V_{\text{OUT}}$	A2 Output Voltage Swing (Notes 8, 9)	$R_L = 100\text{ k}\Omega$ on Output		VOL	0.007	0.02	V
				VOH	4.80	4.99	
		$R_L = 10\text{ k}\Omega$ on Output		VOL		0.03	V
				VOH		4.95	
SR	Slew Rate (Note 10)				0.7		V/ μs
BW	Bandwidth				80		kHz
Noise	0.1 Hz to 10 Hz				3.82		μV_{PP}
	Spectral Density	$f = 1\text{ kHz}$			486		nV/ $\sqrt{\text{Hz}}$

Note 1: Absolute Maximum Ratings indicate limits beyond which damage to the device may occur. Operating Ratings indicate conditions for which the device is intended to be functional, but specific performance is not guaranteed. For guaranteed specifications and the test conditions, see the Electrical Characteristics Tables.

Note 2: Human Body Model is 1.5 k Ω in series with 100 pF. Machine Model is 0 Ω in series with 200 pF.

Note 3: The maximum power dissipation is a function of $T_{J(MAX)}$, θ_{JA} , and T_A . The maximum allowable power dissipation at any ambient temperature is $P_D = (T_{J(MAX)} - T_A) / \theta_{JA}$. All numbers apply for packages soldered directly onto a PC board.

Note 4: Electrical table values apply only for factory testing conditions at the temperature indicated. Factory testing conditions result in very limited self-heating of the device.

Note 5: Typical values represent the parametric norm at the time of characterization.

Note 6: Positive current corresponds to current flowing into the device.

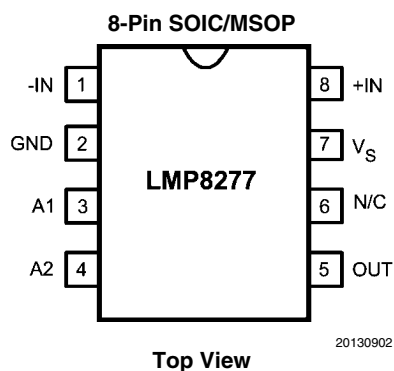
Note 7: AC Common Mode Signal is a 16 V_{pp} sine-wave (0V to 16V) at the given frequency

Note 8: For VOL, R_L is connected to V_S and for VOH, R_L is connected to GND.

Note 9: For this test input is driven from A1 stage.

Note 10: Slew rate is the average of the rising and falling slew rates.

Connection Diagram

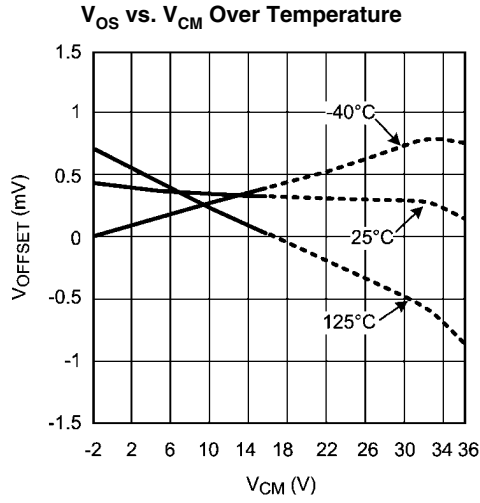


Ordering Information

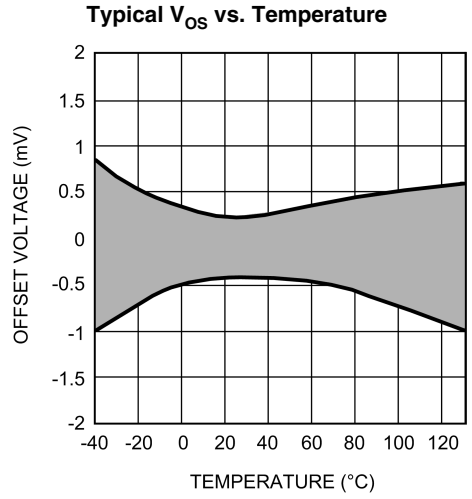
Package	Part Number	Package Marking	Transport Media	NSC Drawing
8-Pin SOIC	LMP8277MA	LMP8277MA	95 Units/Rail	M08A
	LMP8277MAX		2.5k Units Tape and Reel	
8-Pin MSOP	LMP8277MM	LMP8277MM	95 Units/Rail	MUA08A
	LMP8277MMX		2.5k Units Tape and Reel	

Typical Performance Characteristics

Unless otherwise specified: $T_A = 25^\circ\text{C}$, $V_S = 5\text{V}$, $V_{CM} = V_S/2$

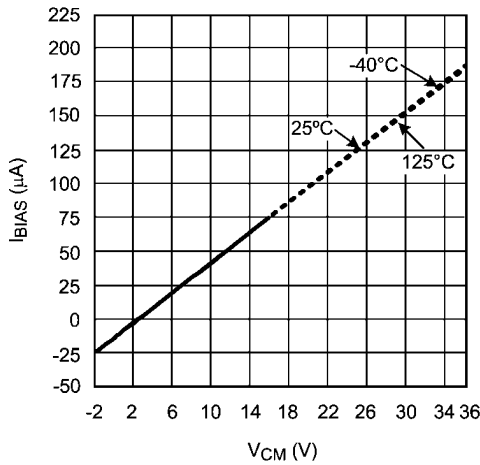


20130915



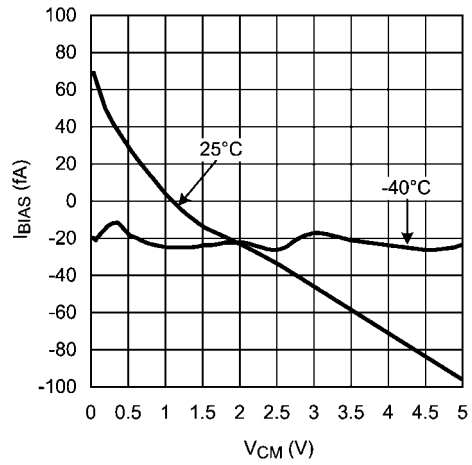
20130921

Input Bias Current Over Temperature (A1 Inputs)



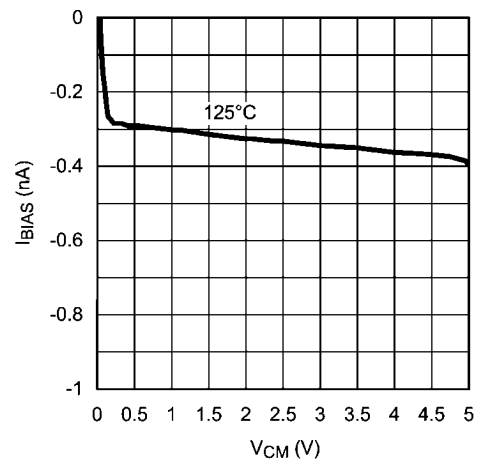
20130919

Input Bias Current Over Temperature (A2 Inputs)



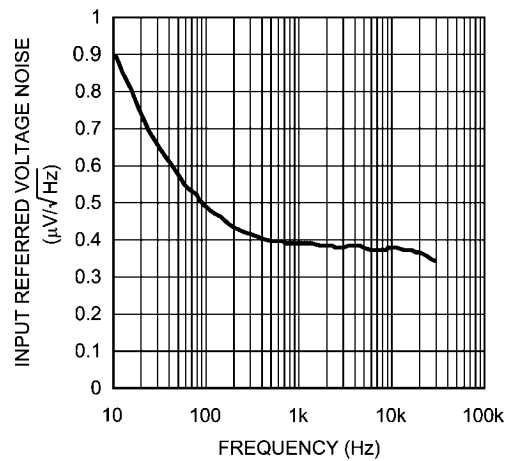
20130918

Input Bias Current Over Temperature (A2 Inputs)

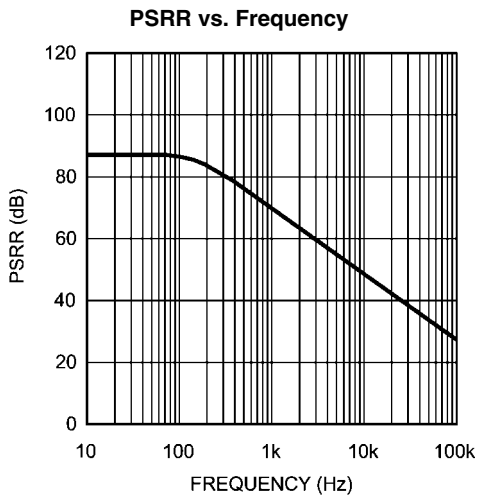


20130920

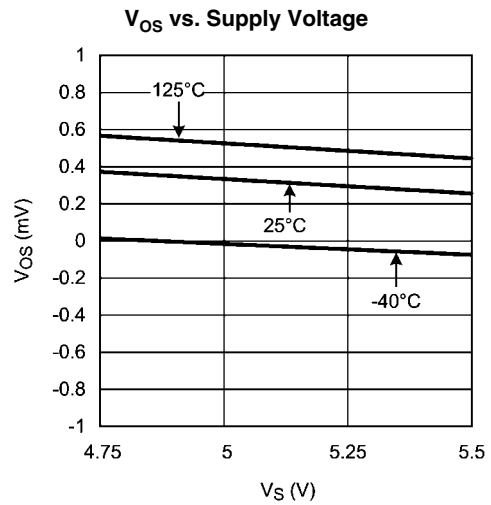
Input Referred Voltage Noise vs. Frequency



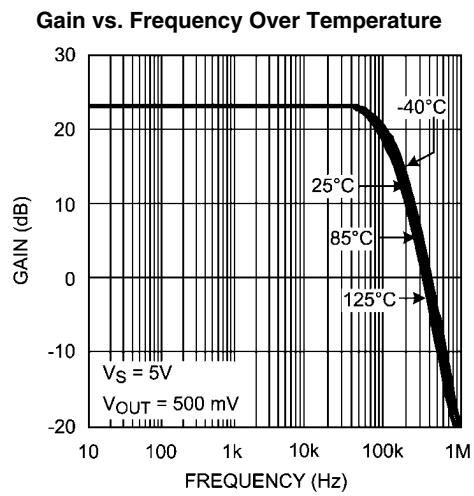
20130906



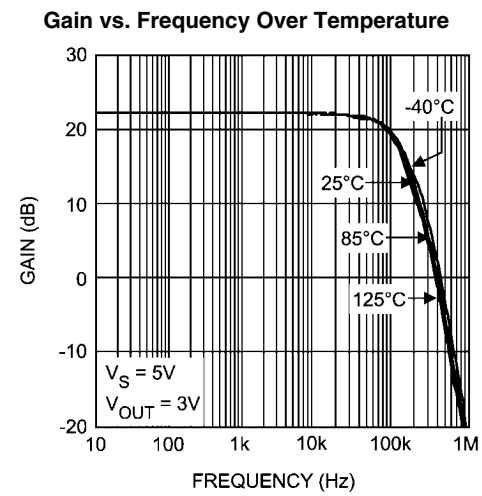
20130923



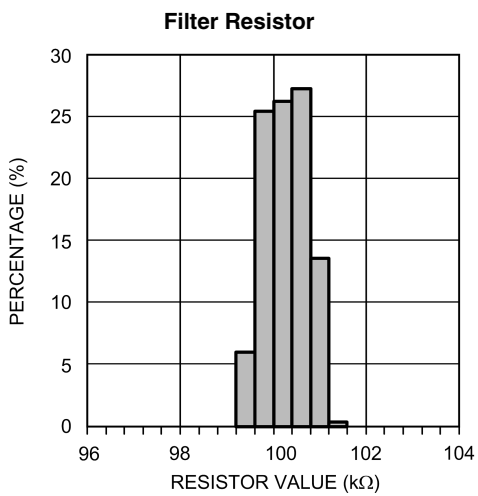
20130922



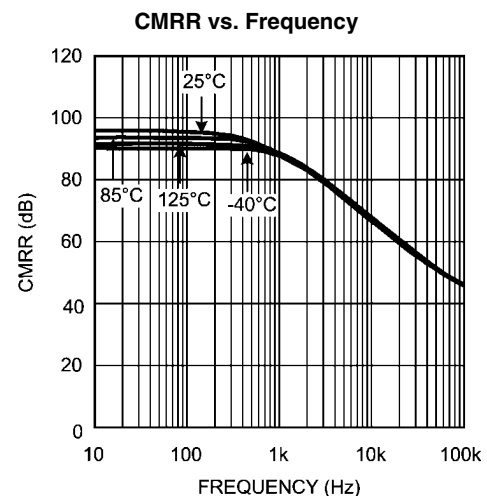
20130912



20130911

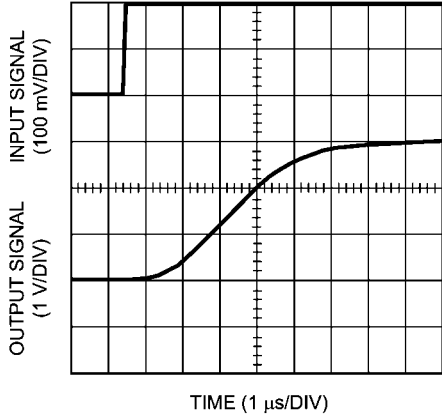


20130917



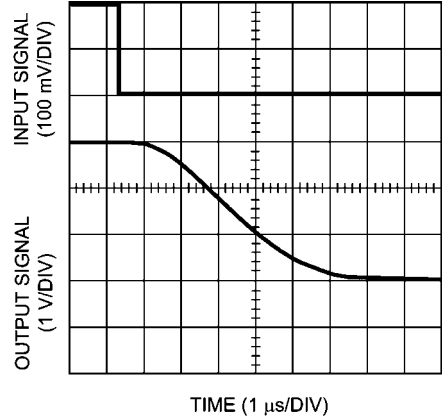
20130914

Settling Time (Rising Edge)



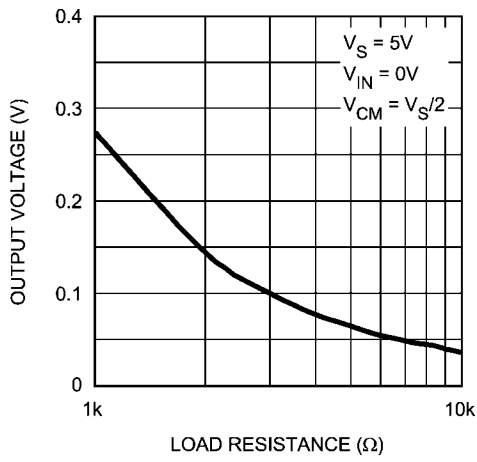
20130910

Settling Time (Falling Edge)



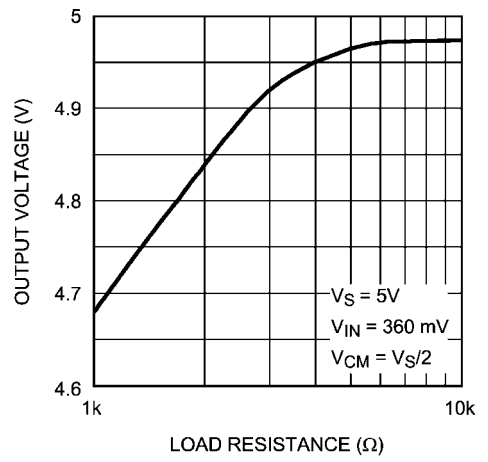
20130909

Output Voltage vs. R_L to V_S



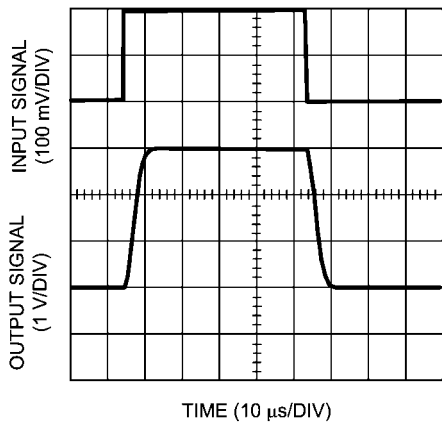
20130913

Output Voltage vs. R_L to GND



20130907

Step Response



20130908

Application Note

LMP8277

The LMP8277 is a single supply amplifier with a fixed gain of 14 and a common mode voltage range of -2V to 16V. The fixed gain is achieved in two separate stages, a preamplifier with gain of +7 and a second stage amplifier with gain of +2. A block diagram of the LMP8277 is shown in Figure 1.

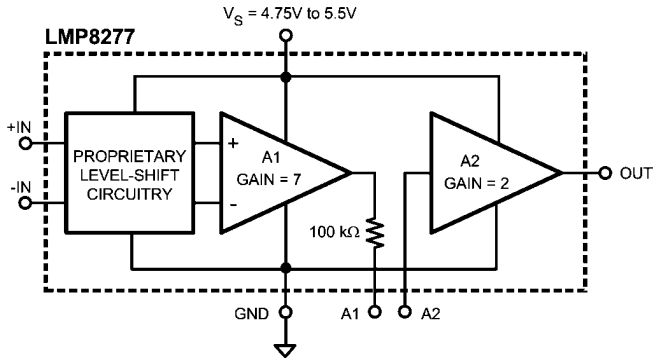


FIGURE 1. LMP8277

The overall offset of the LMP8277 is minimized by trimming amplifier A1. This is done so that the output referred offset of A1 cancels the input referred offset of A2 or $7V_{OS1} = -V_{OS2}$. Because of this offset voltage relationship, the offset of each individual amplifier stage may be more than the limit specified for the overall system in the datasheet tables. Care must be given when pin 3 and 4, A1 and A2, are connected to each other. If the signal going from A1 to A2 is amplified or attenuated (by use of amplifiers and resistors), the overall LMP8277 offset will be affected as a result. Filtering the signal between A1 and A2 or simply connecting the two pins will not change the offset of the LMP8277.

Referencing the input referred offset voltages of each stage, the following relationship holds:

$$\frac{(7V_{OS1}) + (V_{OS2})}{7} = V_{OS}(\text{LMP8277})$$

If the signal on pin 3 is scaled, attenuated or amplified, by a factor X, then the offset of the overall system will become:

$$\frac{(7V_{OS1}) \cdot (X) + (V_{OS2})}{7(X)} = V_{OS}(\text{LMP8277})$$

POWER SUPPLY DECOUPLING

In order to decouple the LMP8277 from AC noise on the power supply, it is recommended to use a 0.1 μF on the supply pin. It is best to use a 0.1 μF capacitor in parallel with a 10 μF capacitor. This will generate an AC path to ground for most frequency ranges and will almost greatly reduce the noise introduced by the power supply.

SECOND ORDER LOW PASS FILTER

The LMP8277 can be effectively used to build a second order Sallen-Key low pass filter. The general filter is shown in Figure 2:

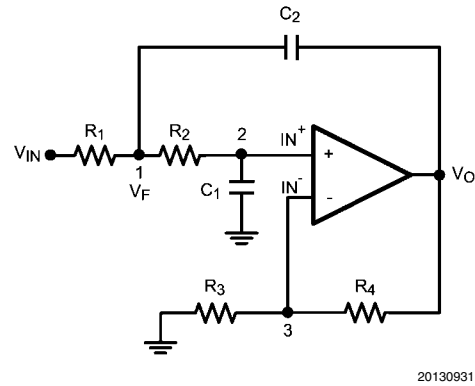


FIGURE 2. Second Order Low-Pass Filter

With the general transfer function:

$$\frac{V_O}{V_{IN}} = \frac{K}{M - KN} \tag{1}$$

Where:

$$M = s^2C_1C_2R_1R_2 + s(R_1C_1 + R_1C_2 + C_1R_2) + 1$$

$$N = sC_2R_1$$

and

$$\frac{1}{K} = \frac{1}{A_{VOL}} + \frac{R_3}{R_3 + R_4}$$

K represents the sum of DC closed loop gain and the non-ideal behavior of the operational amplifier.

The LMP8277 can be used to realize this configuration as shown in Figure 3:

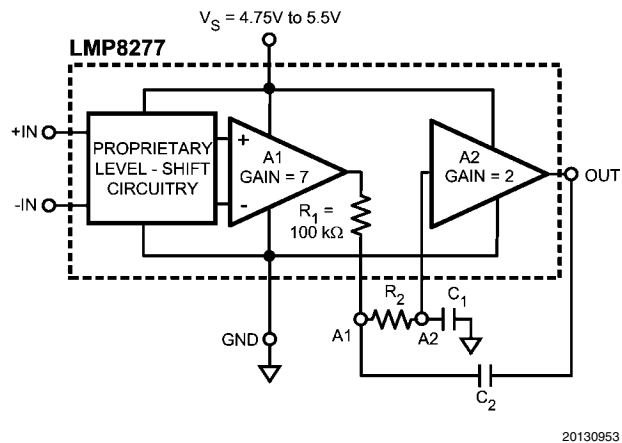


FIGURE 3. Low-Pass Filter With LMP8277

Assuming ideal behavior, the equation for K simply reduces to the DC gain, which is set to +2 for the LMP8277.

Using Equation 1, the filter parameters can be calculated as follows:

$$\omega_o = \frac{1}{\sqrt{R_1 R_2 C_1 C_2}}$$

$$f_c = \frac{1}{2\pi \sqrt{R_1 R_2 C_1 C_2}}$$

$$Q = \frac{\sqrt{R_1 R_2 C_1 C_2}}{R_1 C_1 + R_2 C_1 + (1-K)R_1 C_2}$$

for the LMP8277, $R_1 = 100 \text{ k}\Omega$. Setting $R_1 = R_2$ and $C_1 = C_2$ results in a low pass filter with $Q = 1$. Since the values of resistors are predetermined, the corner frequency of this implementation of the filter depends on the capacitor values.

GAINS OTHER THAN 14

The LMP8277 has an internal gain of +14; however this gain can be modified. The signal path between the two amplifiers is available as external pins.

GAINS LESS THAN 14

shows the configuration used to reduce the LMP8277 gain.

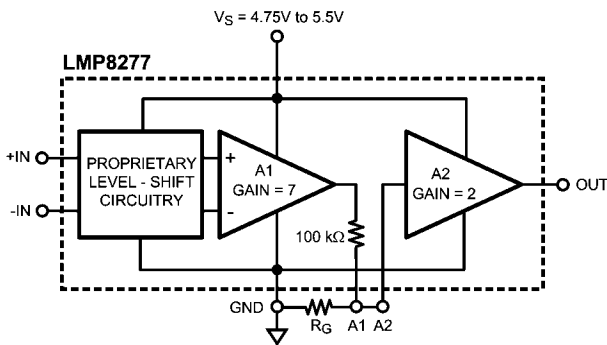


FIGURE 4. Gains Less than 14

Where:

$$\text{GAIN (NEW)} = \frac{14 R_G}{R_G + 100 \text{ k}\Omega}$$

and

$$R_G = (100 \text{ k}\Omega) \frac{\text{GAIN (NEW)}}{14 - \text{GAIN (NEW)}}$$

GAINS GREATER THAN 14

A higher gain can be achieved by using positive feedback on the second stage amplifier, A2, of the LMP8277. Figure 5 shows the configuration:

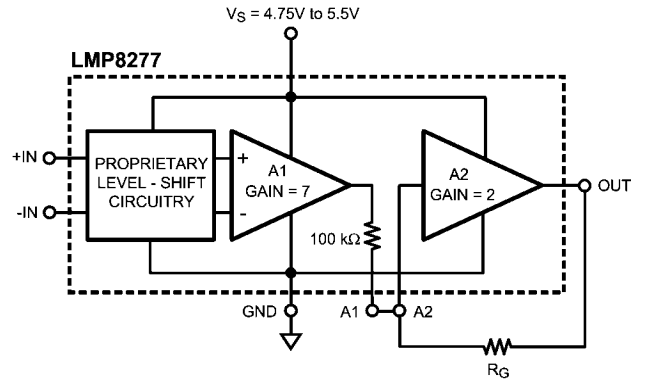


FIGURE 5. Gains Greater Than 14

The total gain is given by:

$$\text{GAIN (NEW)} = \frac{14 R_G}{R_G - 100 \text{ k}\Omega} \tag{2}$$

Which can be rearranged to calculate R_G :

$$R_G = (100 \text{ k}\Omega) \frac{\text{GAIN (NEW)}}{\text{GAIN (NEW)} - 14}$$

The inverting gain of the second amplifier is set at 2, giving a total system gain of 14. The non-inverting gain which is achieved through positive feedback can be less than or equal to this gain without any issues. This implies a total system gain of 28 or less is easily achievable. Once the positive gain surpasses the negative gain, the system might oscillate.

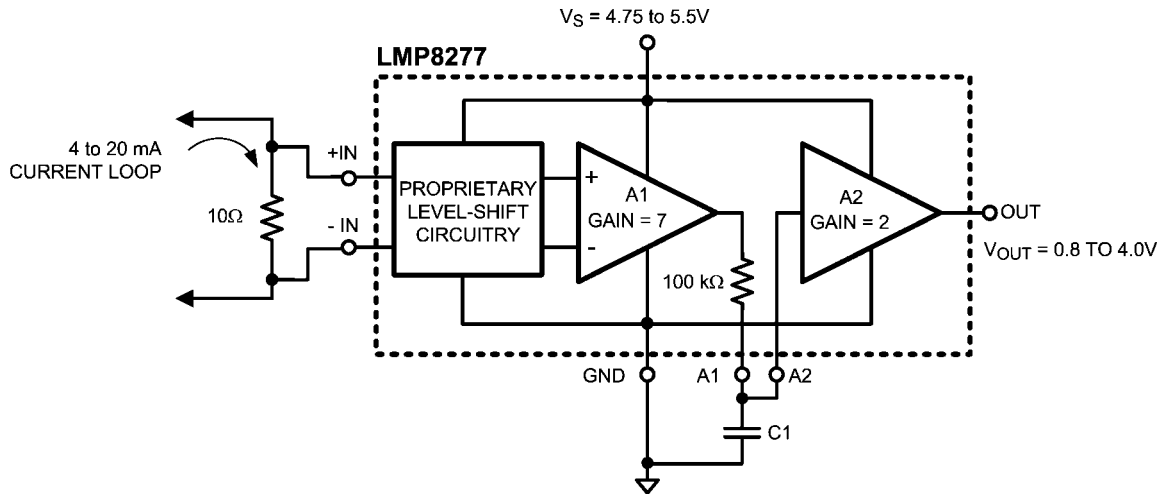
As the value of gain resistor, R_G , approaches that of the internal $100 \text{ k}\Omega$ resistor, maintaining gain accuracy will become more challenging. This is because Gain(new) is inversely proportional to $(R_G - 100 \text{ k}\Omega)$, see Equation 2. As $R_G \rightarrow 100 \text{ k}\Omega$, the denominator of Equation 2 gets smaller. This smaller value will be comparable to the tolerance of the $100 \text{ k}\Omega$ resistor and R_G and hence the gain will be dominated by accuracy level of these resistors and the gain tolerance will be determined by the tolerance of the external resistor used for R_G and the 3% tolerance of the internal $100 \text{ k}\Omega$ resistor.

CURRENT LOOP RECEIVER

Many types of process control instrumentation use 4 to 20 mA transmitters to transmit the sensor's analog value to a central control room. The LMP8272 can be used as a current loop receiver as shown in Figure 6.

20130950

20130947



20130928

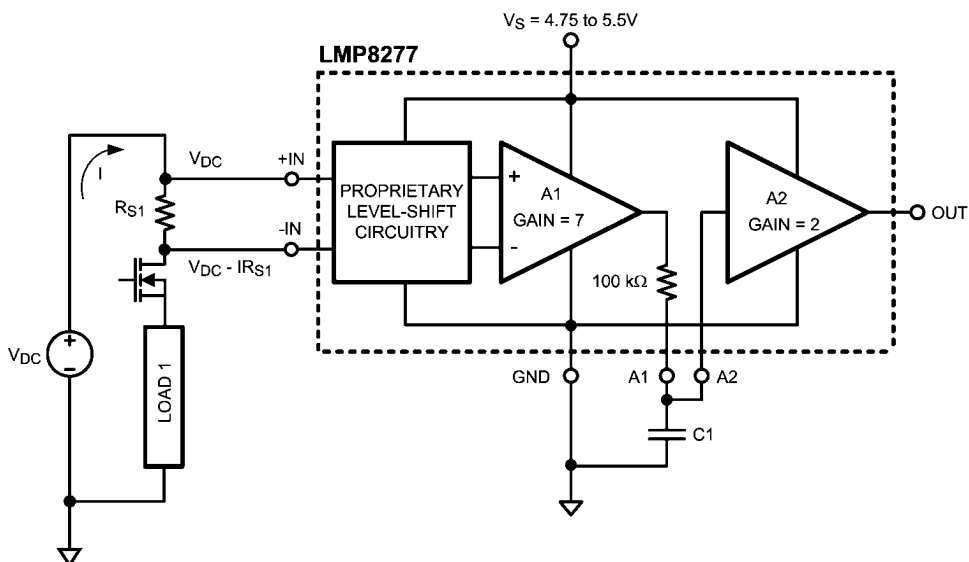
FIGURE 6. Current Loop Receiver

HIGH SIDE CURRENT SENSING

High side current measurement requires a differential amplifier with gain. Here the DC voltage source represent a common mode voltage with the +IN input at the supply voltage and the -IN input very close to the supply voltage. The LMP8277 can be used with a common mode voltage, V_{DC} in this case, of up to of 16V.

The LMP8277 can be used for high side current sensing. The large common mode voltage range of this device allows it to

sense signals outside of its supply voltage range. Also, the LMP8277 has very high CMRR, which enables it to sense very small signals in presence of larger common mode signals. The system in *Figure 7* couples these two characteristics of the LMP8277 in an automotive application. The signal through R_{S1} is detected and amplified by LMP8277 in the presence of a common mode signal of up to 16V with highest accuracy.



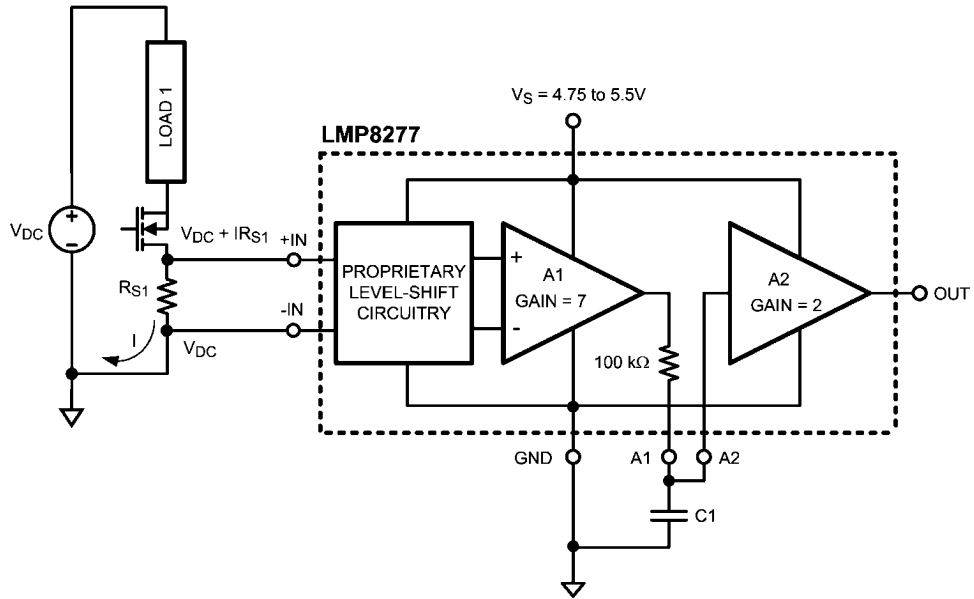
20130929

FIGURE 7. High Side Current Sensing

LOW SIDE CURRENT SENSING

Low side current measurements can cause a problem for operational amplifiers by exceeding the negative common mode voltage limit of the device. In *Figure 8*, the load current is returning to the power source through a common connection that has a parasitic resistance. The voltage drop across the

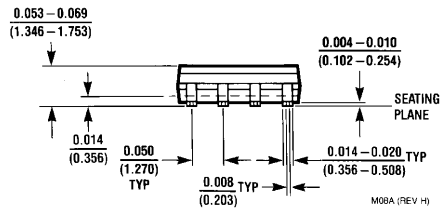
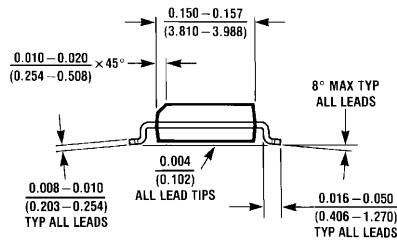
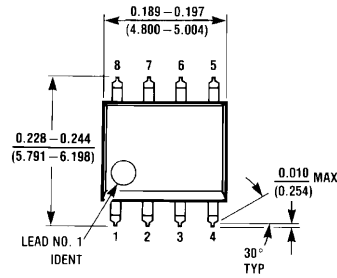
parasitic resistances can cause the ground connection of the circuits being at a positive voltage with respect to the common side of the sense resistor. This will result in one or both of the inputs to be negative with respect to the measurement circuit's ground. The LMP8272 has a wide common mode voltage range of $-2V$ to $16V$ and will function in this condition.



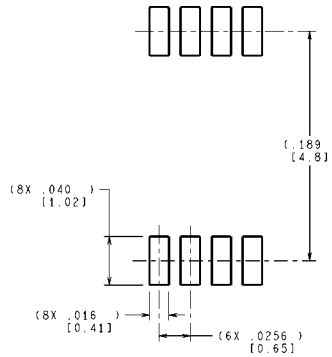
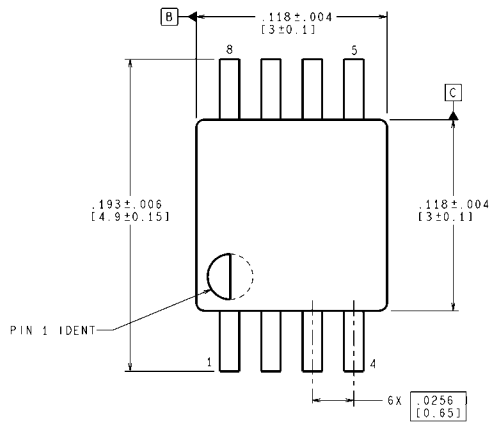
20130930

FIGURE 8. Low Side Current Sensing

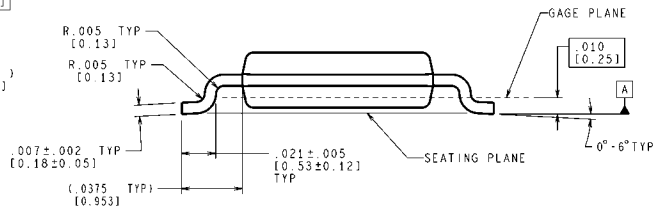
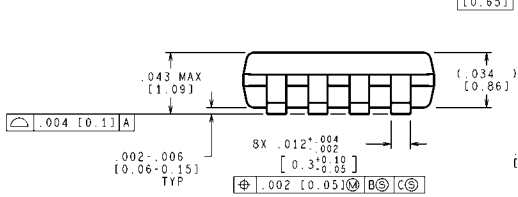
Physical Dimensions inches (millimeters) unless otherwise noted



8-Pin SOIC
NS Package Number M08A



LAND PATTERN RECOMMENDATION



CONTROLLING DIMENSION IS INCH
VALUES IN [] ARE MILLIMETERS

MUA08A (Rev E)

8-Pin MSOP
NS Package Number MUA08A

Notes

THE CONTENTS OF THIS DOCUMENT ARE PROVIDED IN CONNECTION WITH NATIONAL SEMICONDUCTOR CORPORATION ("NATIONAL") PRODUCTS. NATIONAL MAKES NO REPRESENTATIONS OR WARRANTIES WITH RESPECT TO THE ACCURACY OR COMPLETENESS OF THE CONTENTS OF THIS PUBLICATION AND RESERVES THE RIGHT TO MAKE CHANGES TO SPECIFICATIONS AND PRODUCT DESCRIPTIONS AT ANY TIME WITHOUT NOTICE. NO LICENSE, WHETHER EXPRESS, IMPLIED, ARISING BY ESTOPPEL OR OTHERWISE, TO ANY INTELLECTUAL PROPERTY RIGHTS IS GRANTED BY THIS DOCUMENT.

TESTING AND OTHER QUALITY CONTROLS ARE USED TO THE EXTENT NATIONAL DEEMS NECESSARY TO SUPPORT NATIONAL'S PRODUCT WARRANTY. EXCEPT WHERE MANDATED BY GOVERNMENT REQUIREMENTS, TESTING OF ALL PARAMETERS OF EACH PRODUCT IS NOT NECESSARILY PERFORMED. NATIONAL ASSUMES NO LIABILITY FOR APPLICATIONS ASSISTANCE OR BUYER PRODUCT DESIGN. BUYERS ARE RESPONSIBLE FOR THEIR PRODUCTS AND APPLICATIONS USING NATIONAL COMPONENTS. PRIOR TO USING OR DISTRIBUTING ANY PRODUCTS THAT INCLUDE NATIONAL COMPONENTS, BUYERS SHOULD PROVIDE ADEQUATE DESIGN, TESTING AND OPERATING SAFEGUARDS.

EXCEPT AS PROVIDED IN NATIONAL'S TERMS AND CONDITIONS OF SALE FOR SUCH PRODUCTS, NATIONAL ASSUMES NO LIABILITY WHATSOEVER, AND NATIONAL DISCLAIMS ANY EXPRESS OR IMPLIED WARRANTY RELATING TO THE SALE AND/OR USE OF NATIONAL PRODUCTS INCLUDING LIABILITY OR WARRANTIES RELATING TO FITNESS FOR A PARTICULAR PURPOSE, MERCHANTABILITY, OR INFRINGEMENT OF ANY PATENT, COPYRIGHT OR OTHER INTELLECTUAL PROPERTY RIGHT.

LIFE SUPPORT POLICY

NATIONAL'S PRODUCTS ARE NOT AUTHORIZED FOR USE AS CRITICAL COMPONENTS IN LIFE SUPPORT DEVICES OR SYSTEMS WITHOUT THE EXPRESS PRIOR WRITTEN APPROVAL OF THE CHIEF EXECUTIVE OFFICER AND GENERAL COUNSEL OF NATIONAL SEMICONDUCTOR CORPORATION. As used herein:

Life support devices or systems are devices which (a) are intended for surgical implant into the body, or (b) support or sustain life and whose failure to perform when properly used in accordance with instructions for use provided in the labeling can be reasonably expected to result in a significant injury to the user. A critical component is any component in a life support device or system whose failure to perform can be reasonably expected to cause the failure of the life support device or system or to affect its safety or effectiveness.

National Semiconductor and the National Semiconductor logo are registered trademarks of National Semiconductor Corporation. All other brand or product names may be trademarks or registered trademarks of their respective holders.

Copyright© 2007 National Semiconductor Corporation

For the most current product information visit us at www.national.com



**National Semiconductor
Americas Customer
Support Center**
Email:
new.feedback@nsc.com
Tel: 1-800-272-9959

**National Semiconductor Europe
Customer Support Center**
Fax: +49 (0) 180-530-85-86
Email: europe.support@nsc.com
Deutsch Tel: +49 (0) 69 9508 6208
English Tel: +49 (0) 870 24 0 2171
Français Tel: +33 (0) 1 41 91 8790

**National Semiconductor Asia
Pacific Customer Support Center**
Email: ap.support@nsc.com

**National Semiconductor Japan
Customer Support Center**
Fax: 81-3-5639-7507
Email: jpn.feedback@nsc.com
Tel: 81-3-5639-7560